

Seine Rive Gauche, Paris

This competition is part of many to redefine areas of Paris into modern and dynamic neighbourhoods. A park is proposed to link this periphery neighbourhood into the Parisian city.

Instead of shying away from the physical presence of the circulation axis, the design plays with this dynamic of movement. The park reaches to the edge of the Seine, creating a beach and swim-

ming opportunity thus transforming a perfect peripheral typology into contemporary urban landscape. A series of smaller parks and promenades complete the landscape architectural program.

From the park evolves a series of neighbourhoods and architectural complexes providing a broad range of needs including a university campus. The project plans 35 000 m² of new buildings, an

additional 5 hectares of campus space and over 5 hectares of green open space.

This architectural collection is to develop a strong identity to this quarter.

Selected Projects

Design:
Christophe Girot
with
Integral Lipsky + Rollet
Architects

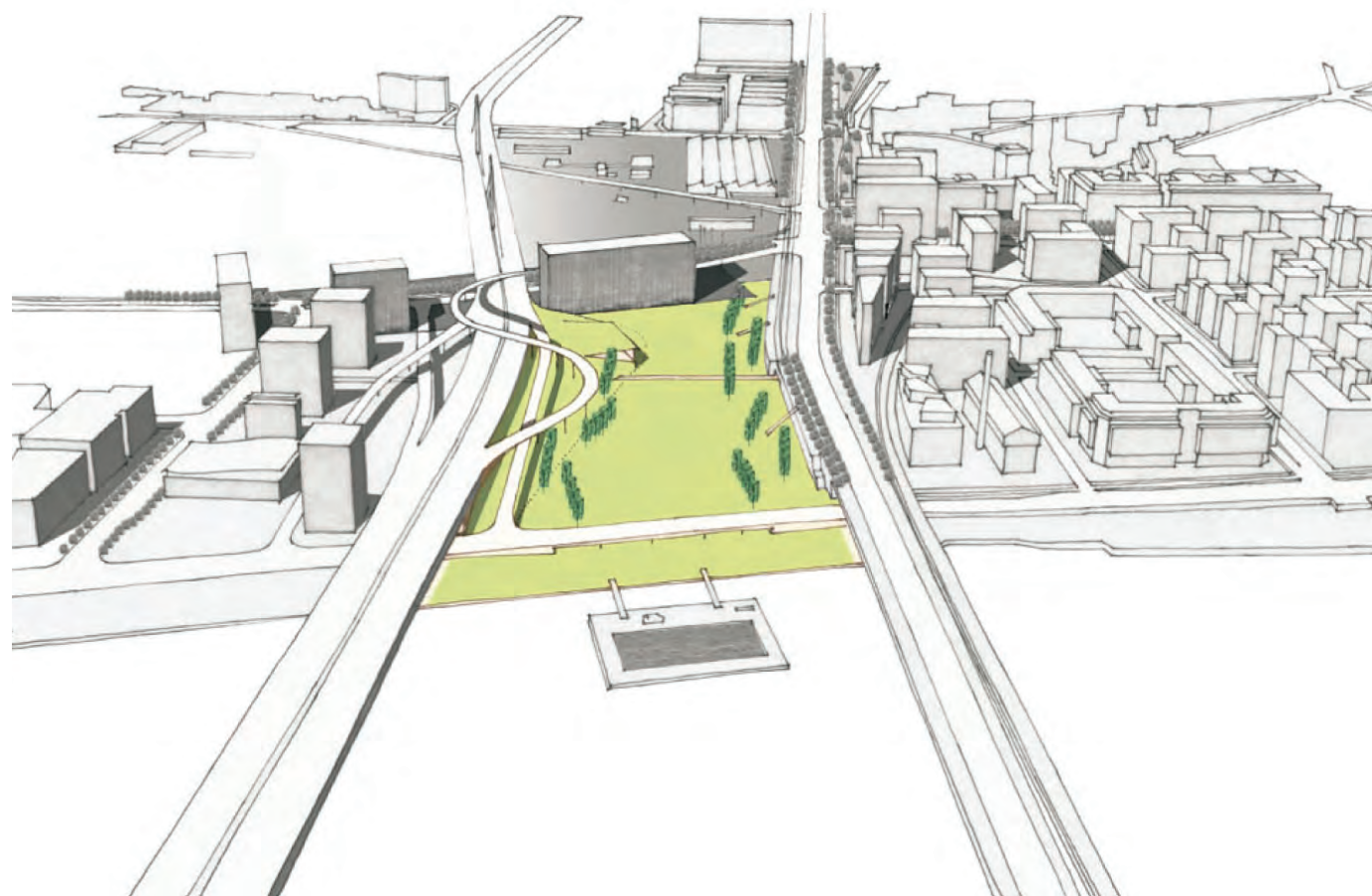
Surface:
15 ha

Client:
SEMAPA

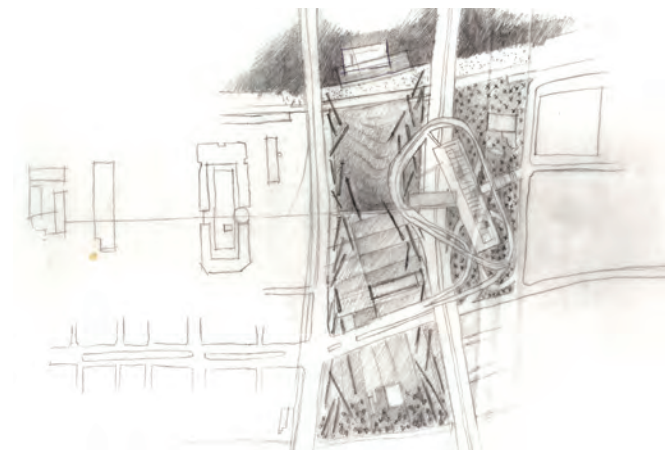
Dates:
Competition 2001

Competition:
1st Prize

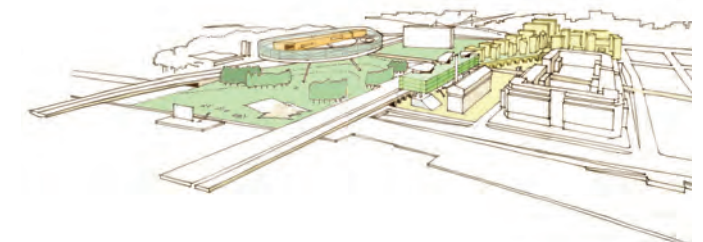
Budget:
N/A



1



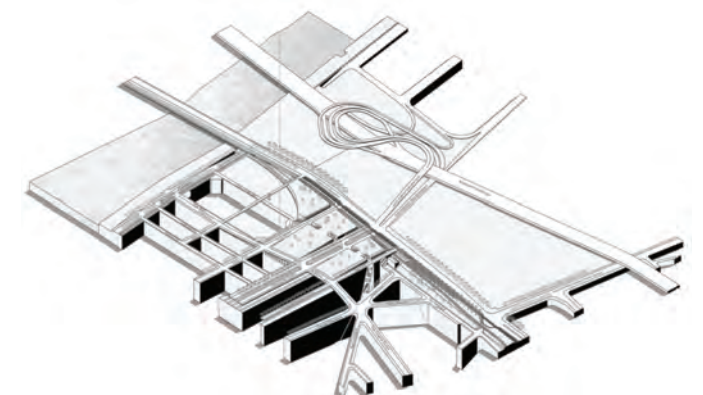
3



4



5



6

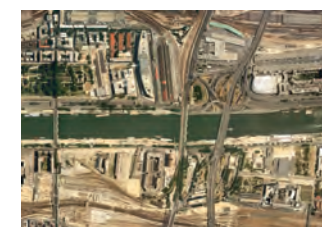


2

- 1 Birdseye view
- 2 Section
- 3 Park hand sketch
- 4-6 Project axonometries
- 7 Site localisation
- 8 Aerial view
- 9 Banks of the Seine



7



8



9